



**PERFORMANCE DATA SHEET
NEMA PREMIUM NR CAN NEMA 12 - 12**

Catalogue #: MQOP-53

| HP | kW | Voltage | S.F. @ 60Hz | EFF. | P.F. | Frame | Design | L.R. Amps |
|----|-------|---------|-------------|-------|------|-------|--------|-----------|
| 30 | 22,38 | 230/460 | 1,15 | 93,6% | 0,79 | 326T | B | 217 |

| 60 Hz | | | | | | | | Code | F.L. RPM |
|-------|-----|-----|-------|-----|-----|-----|--|------|----------|
| 208 | 230 | 416 | 460 | 480 | 575 | 600 | | | |
| / | 76 | / | 38,00 | / | / | | | G | 1185 |

| 50 Hz | | | | | | | | |
|-------|-----|-----|-------------|------------|--------------|------|----------|--|
| FLA | | | S.F. @ 50Hz | Efficiency | Power Factor | Code | F.L. RPM | |
| 190 | 380 | 415 | | | | | | |
| 92,0 | 46 | | 1,00 | 91,0% | 0,810 | F | 980 | |

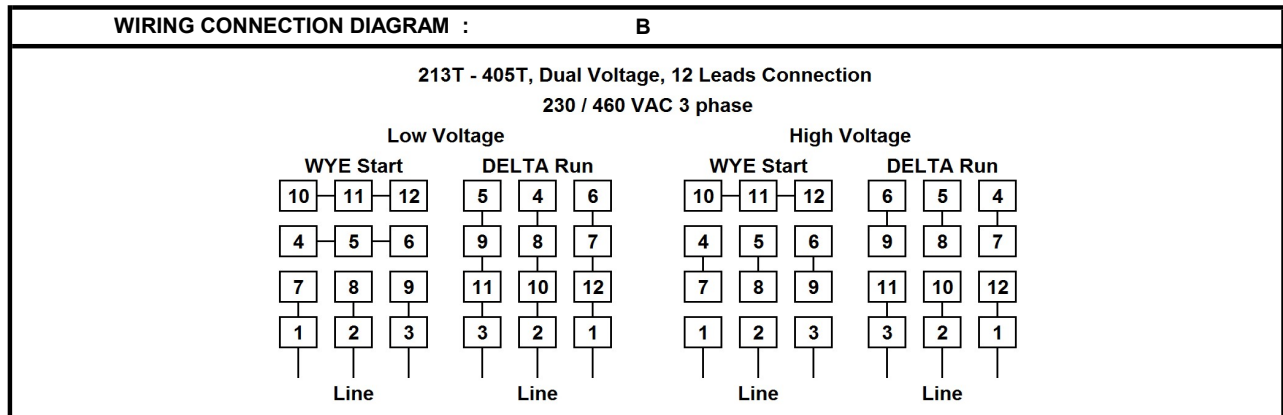
| Wgt. Lbs | PH | Duty | Insul. Class | Amb. | Elevation | Temp. Rise° C |
|----------|----|-------|--------------|------|------------------|---------------|
| 537 | 3 | Cont. | F | 40°C | 1000M (3,300 Ft) | 60 |

| % Efficiency | | % Power Factor | | Torque | | Winding Resist. Ω | Safe Cold Start (Secs) |
|--------------|-------|----------------|------|------------------|-------|-------------------|------------------------|
| Full Load: | 93,6% | Full Load: | 0,79 | Full Load Ft/Lbs | 133,0 | | |
| 3/4 Load: | 93,0% | 3/4 Load: | 0,75 | Locked Rotor % | 180 | | |
| 1/2 Load: | 92,5% | 1/2 Load: | 0,64 | Break Down % | 270 | 0,31 | 20 |

| Rotor Inertia Wk2 Lb-Ft2 | Max Load Inertia Wk2 Lb-Ft2 | Shaft Material | Frame Material | DE Bracket Type | ODE Bracket Type | Enclosure | NEMA Rating | Lead Wire Size |
|--------------------------|-----------------------------|----------------|----------------|-----------------|------------------|-----------|-------------|----------------|
| 9,49 | 520 | 1045 | Cast Iron | Cast Iron | Cast Iron | ODP | IP23 | 10AWG |

| Ball Bearings | | Grease | Mount Type | Orientation | Paint | Sound Pressure @ 3FT | Sound Power |
|---------------|------|-----------------|------------|-------------|---------|----------------------|-------------|
| DE | ODE | | | | | | |
| 6312 | 6312 | Mobil PolyrexEm | Rigid | Horizontal | RAL6022 | 72 | 83 |

| Inverter Duty, Motor meets MG1 parts 31.4.4.2 | VFD SF | Constant Torque Range | Variable Torque Range | Constant HP RPM |
|---|--------|-----------------------|-----------------------|-----------------|
| | 1,00 | 10:1 | 20:1 | 1800 |

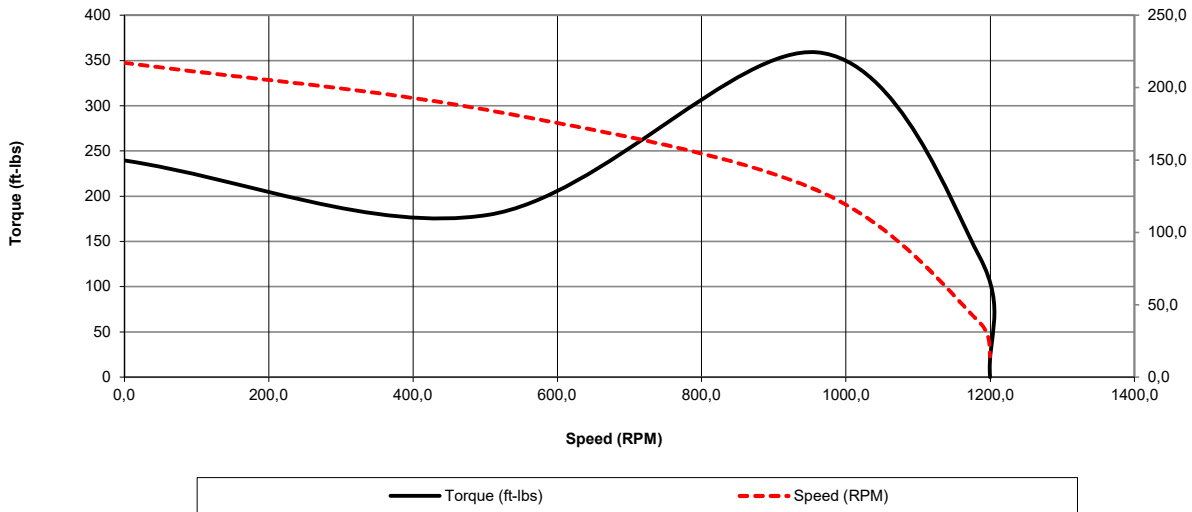


Date: 2023-12-13
 Customer: _____
 Contact: _____
 Submittee: J.C. Lavallée

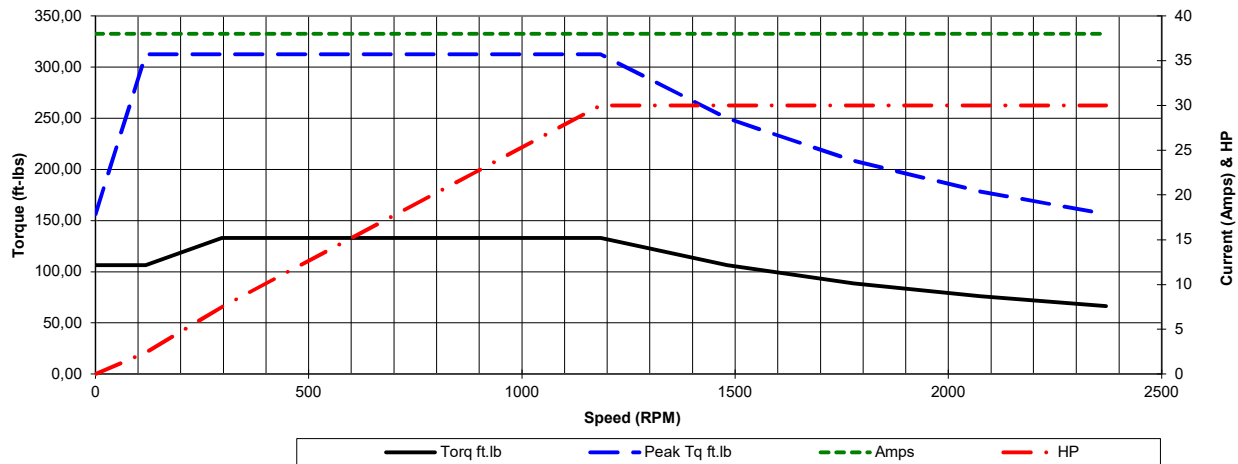
Catalogue #: **MQOP-53**

| NEMA PREMIUM NR CAN NEMA 12 - 12 | | | | | | | | | | |
|----------------------------------|--------------|---------|-----------|------------|-----------|--------------------------------------|---------|----------------|------------------|---------------|
| HP | VAC | RPM | Enclosure | Frame | Frequency | Design | Poles | LR Code Letter | Insulation Class | Temp. Rise °C |
| 30 | 460 | 1185 | ODP | 326T | 60 Hz | B | 6 | G | F | 60 |
| | 0Hz | 6Hz | 15Hz | 30Hz | 45Hz | 60 Hz | 75Hz | 90Hz | 105Hz | 120Hz |
| Amps | 38 | 38 | 38 | 38 | 38 | 38 | 38 | 38 | 38 | 38 |
| RPM | 0 | 118,5 | 296,25 | 592,5 | 888,75 | 1185 | 1481,25 | 1777,5 | 2073,75 | 2370 |
| Torq ft.lb | 106,37 | 106,37 | 132,96 | 132,96 | 132,96 | 132,96 | 106,37 | 88,64 | 75,98 | 66,48 |
| Peak Tq ft.lb | 156,23 | 312,46 | 312,46 | 312,46 | 312,46 | 312,46 | 249,97 | 208,31 | 178,55 | 156,23 |
| HP | 0 | 2,4 | 7,5 | 15,0 | 22,5 | 30,0 | 30,0 | 30,0 | 30,0 | 30,0 |
| | Locked Rotor | Pull-Up | Breakdown | Rated Load | Idle | Duty | S. F. | Ambient | Elevation | dBA @ 1M |
| Speed (RPM) | 0,0 | 504 | 960 | 1185 | 1200 | Continuous | 1,15 | 40°C | 3,300 ft | 72 |
| Current (Amps) | 217,0 | 184,5 | 129,1 | 38,0 | 14,4 | VFD Rating: Meets MG1 parts 31.4.4.2 | | | | |
| Torque (ft-lbs) | 239,3 | 179,5 | 359,0 | 133,0 | 0,0 | C.T. | 10:1 | V.T. | 20:1 | VFD SF 1.00 |

Motor Speed Data



Motor Torque Capability vs RPM





Date: 2023-12-13
 Customer: _____
 Contact: _____
 Submittee: J.C. Lavallée

Catalogue #: **MQOP-53**

| NEMA PREMIUM NR CAN NEMA 12 - 12 | | | | | | | | | | |
|----------------------------------|--------------|---------|-----------|------------|-----------|--------------------------------------|--------|----------------|------------------|---------------|
| HP | VAC | RPM | Enclosure | Frame | Frequency | Design | Poles | LR Code Letter | Insulation Class | Temp. Rise °C |
| 30 | 460 | 1185 | ODP | 326T | 60 Hz | B | 6 | G | F | 60 |
| Load % | 0% | 25% | 50% | 75% | 100% | 125% | 150% | | | |
| Amps | 14,44 | 16,23 | 22,50 | 29,68 | 38,00 | 48,73 | 59,31 | | | |
| Torq ft/lbs | 0 | 32,93 | 66,06 | 99,41 | 132,96 | 166,73 | 200,71 | | | |
| RPM | 0 | 1196,25 | 1192,5 | 1188,75 | 1185 | 1181,25 | 1177,5 | | | |
| Eff | 0 | 86,56 | 92,50 | 93,00 | 93,60 | 92,13 | 91,77 | | | |
| PF | 0 | 50 | 64 | 75 | 79 | 78,21 | 77,42 | | | |
| | Locked Rotor | Pull-Up | Breakdown | Rated Load | Idle | Duty | S. F. | Ambient | Elevation | dBA @ 1M |
| Speed (RPM) | 0 | 504 | 960 | 1185 | 1200 | Continuous | 1,15 | 40°C | 3,300 ft | 72 |
| Current (Amps) | 217 | 184,5 | 129,1 | 38 | 14,44 | VFD Rating: Meets MG1 parts 31.4.4.2 | | | | |
| Torque (ft-lbs) | 239,33 | 179,50 | 359,00 | 132,96 | 0,0 | C.T. | 10:1 | V.T. | 20:1 | VFD SF 1.00 |

